

E-Z Burr Tool Specifications - Stubby HSS Series

E-Z Burr Series STH 1A-1B

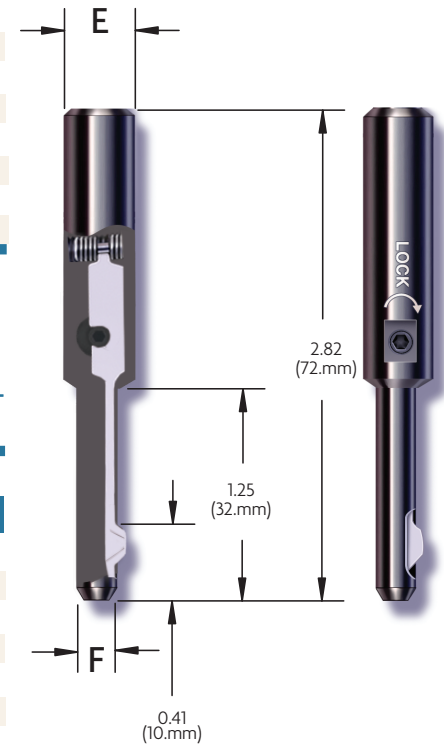
For Holes .093" through .153" (2.38mm to 3.90mm)

Tool #	Hole Diameter (F)		Shank Diameter (E)		Blade Series	O.A.L.		
	Inches	mm	Inches	mm		Inches	mm	
STH0093	3/32	.0937	2.38	0.393	10.0	STH1A	2.82	71.6
STH0098		.0984	2.50	0.393	10.0	STH1A	2.82	71.6
STH0102		.1023	2.60	0.393	10.0	STH1A	2.82	71.6
STH0106		.1062	2.70	0.393	10.0	STH1A	2.82	71.6
STH0109	7/16	.1093	2.77	0.393	10.0	STH1A	2.82	71.6
STH0114	7/64	.1141	2.90	0.393	10.0	STH1A	2.82	71.6
STH0118		.1181	3.00	0.393	10.0	STH1A	2.82	71.6
STH0122		.1220	3.10	0.393	10.0	STH1B	2.82	71.6
STH0125	1/8	.1250	3.17	0.393	10.0	STH1B	2.82	71.6
STH0129		.1299	3.30	0.393	10.0	STH1B	2.82	71.6
STH0133		.1338	3.40	0.393	10.0	STH1B	2.82	71.6
STH0137		.1378	3.50	0.393	10.0	STH1B	2.82	71.6
STH0140	9/64	.1406	3.57	0.393	10.0	STH1B	2.82	71.6
STH0145		.1456	3.70	0.393	10.0	STH1B	2.82	71.6
STH0149		.1496	3.80	0.393	10.0	STH1B	2.82	71.6
STH0153		.1535	3.90	0.393	10.0	STH1B	2.82	71.6

E-Z Burr Series STH 2A-2B

For Holes .157" through .236" (4.00mm to 6.00mm)

Tool #	Hole Diameter (F)		Shank Diameter (E)		Blade Series	O.A.L.		
	Inches	mm	Inches	mm		Inches	mm	
STH0157		.1574	4.00	0.393	10.0	STH2A	2.82	71.6
STH0165		.1653	4.20	0.393	10.0	STH2A	2.82	71.6
STH0171	11/64	.1718	4.36	0.393	10.0	STH2A	2.82	71.6
STH0177		.1771	4.50	0.393	10.0	STH2A	2.82	71.6
STH0187	3/16	.1875	4.76	0.393	10.0	STH2A	2.82	71.6
STH0196		.1968	5.00	0.393	10.0	STH2A	2.82	71.6
STH0203	13/64	.2031	5.15	0.393	10.0	STH2B	2.82	71.6
STH0208		.2086	5.30	0.393	10.0	STH2B	2.82	71.6
STH0216		.2165	5.50	0.393	10.0	STH2B	2.82	71.6
STH0218	7/32	.2185	5.55	0.393	10.0	STH2B	2.82	71.6
STH0228		.2283	5.80	0.393	10.0	STH2B	2.82	71.6
STH0234	15/64	.2343	5.95	0.393	10.0	STH2B	2.82	71.6
STH0236		.2362	6.00	0.393	10.0	STH2B	2.82	71.6



Easy. Fast. Built to Last.